



EBARA

PRA

PERIPHERAL ELECTRIC PUMPS

60 Hz





PRA

PERIPHERAL ELECTRIC PUMPS

in cast iron



Cast iron peripheral electric pumps.

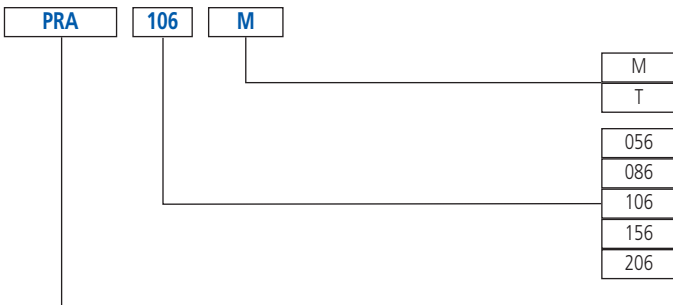
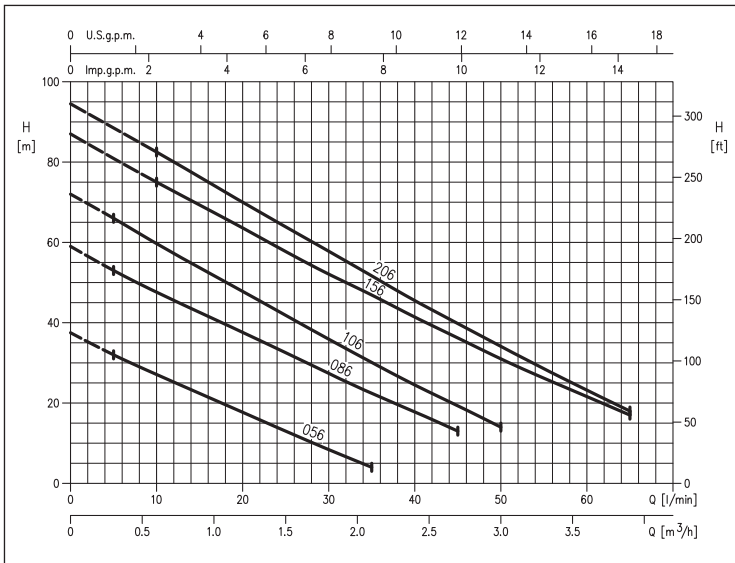
- 가
-
-
-
-

- PRA 056 - 6 bar
- PRA 086 - 7.5 bar
- - 12 bar
- : 80°C

- 2
- : F
- : IP44
- 110-115V ±6%, 60Hz
- 220-230V ±6%, 60Hz
- 220/380V -6%+10%, 60Hz
- : G1
- : G1

- Pump body and bracket in cast iron
- Shaft in 1.0736 for PRA 056, in AISI 303 (part in contact with the liquid) for the rest of the range
- Impeller in brass
- Mechanical seal in Carbon/Ceramic/NBR

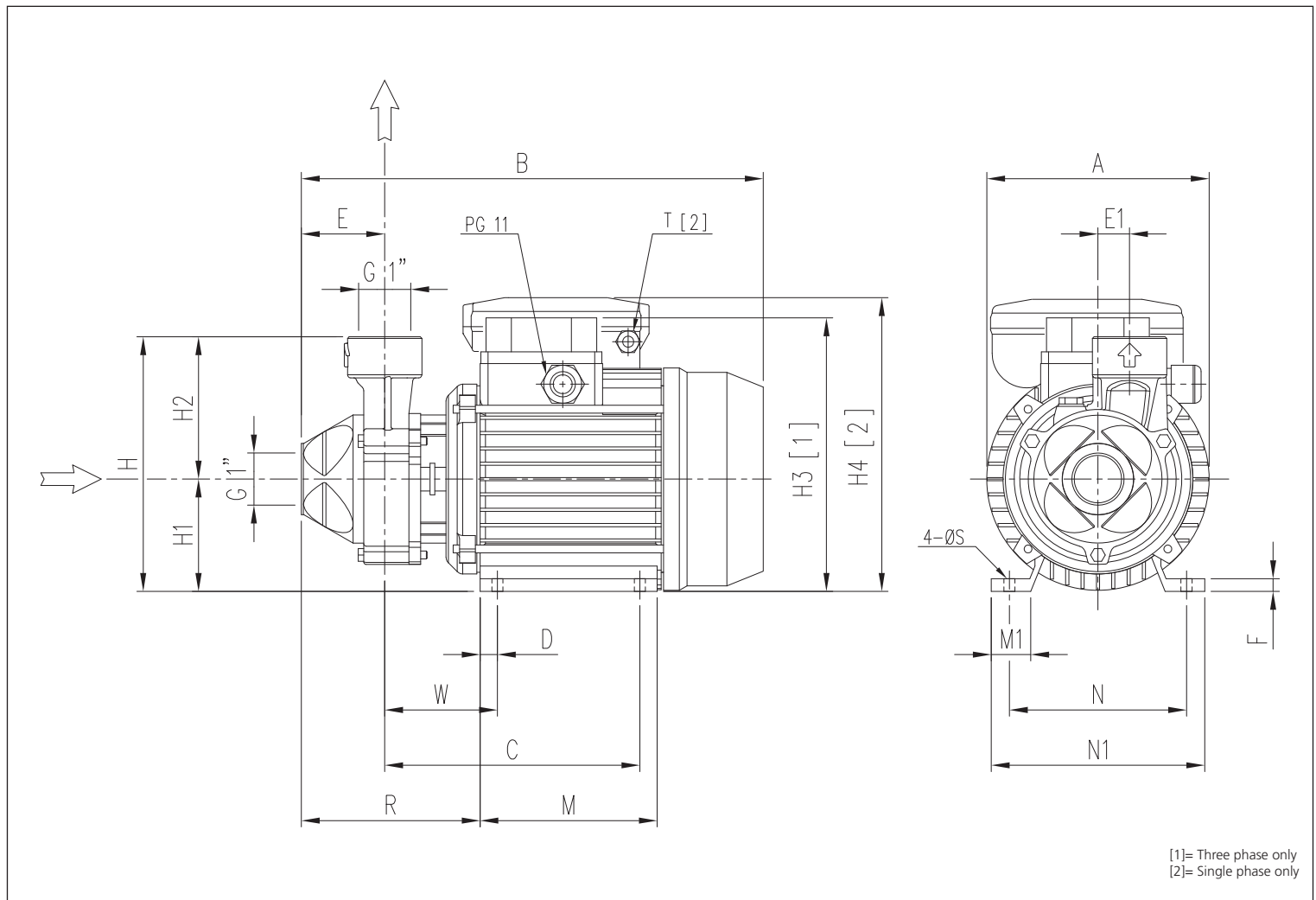
(according to ISO 9906 Attachment A)



PERIPHERAL ELECTRIC PUMPS

in cast iron

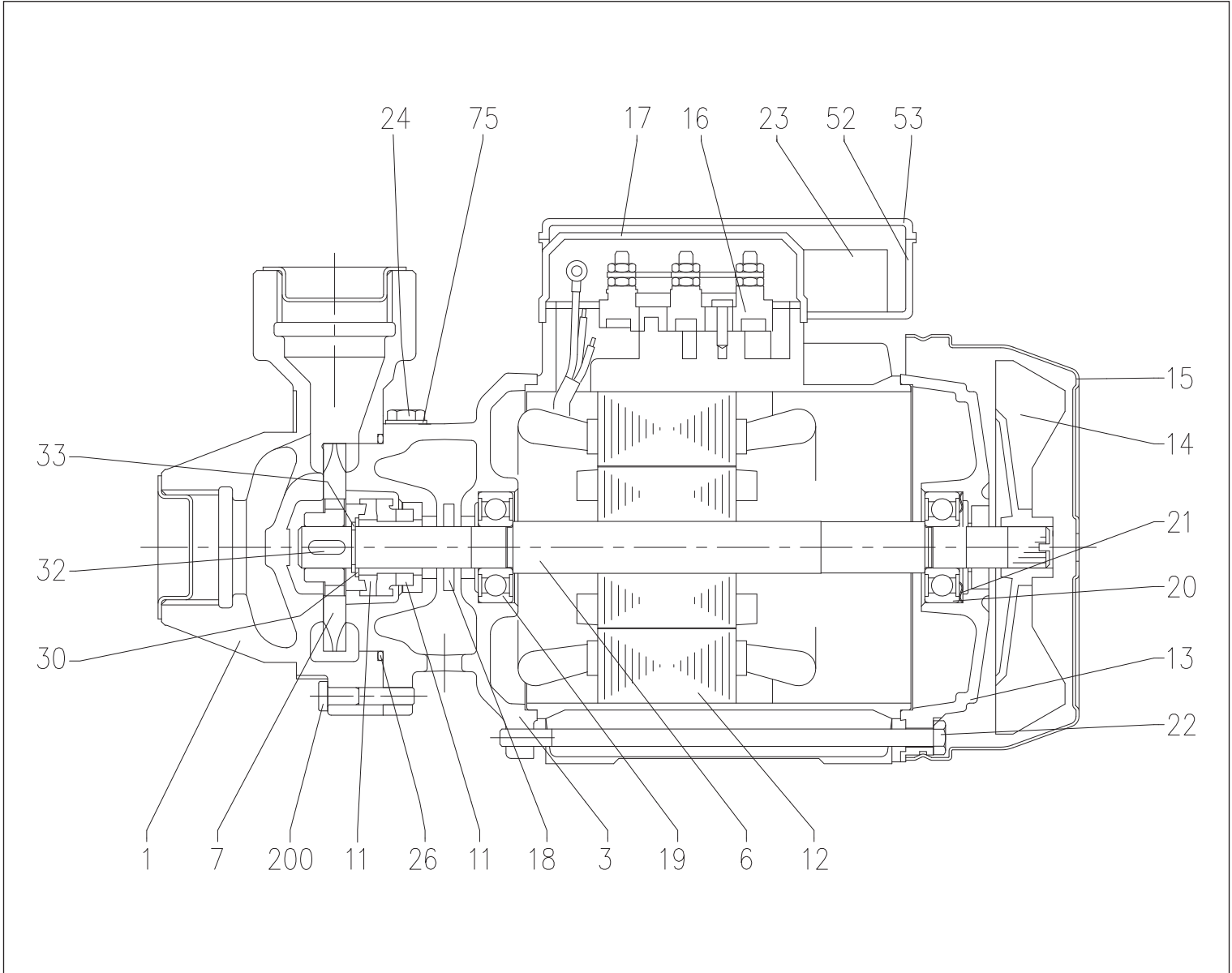
110-115V/220-230V	220/380V	P ₂		l/min m ³ /h	5 0,3	10 0,6	20 1,2	30 1,8	35 2,1	40 2,4	45 2,7	50 3	60 3,6	65 3,9
		[HP]	[kW]											
PRA 056 M	PRA 056 T	0,5	0,37	32,0	27,0	17,7	8,4	4,0	-	-	-	-	-	-
PRA 086 M	PRA 086 T	0,8	0,6	53,0	48,0	37,6	27,5	22,2	17,9	13,0	-	-	-	-
PRA 106 M	PRA 106 T	1	0,75	66,0	60,0	48,0	35,9	30,1	24,5	19,4	14,0	-	-	-
PRA 156 M	PRA 156 T	1,5	1,1	-	75,0	63,5	52,0	47,0	41,5	36,2	31,0	21,8	17,0	-
-	PRA 206 T	2	1,5	-	82,5	70,0	57,8	51,6	45,5	39,8	34,1	23,2	18,0	-



	A	B	C	D	E	E1	F	H	H1	H2	[mm] H3	H4	M	M1	N	N1	R	T	W	S	[kg]
PRA 056 M	125	263,5	151	10	50	20	7	143	63	80	-	160	100	22	100	120	111	PG11	71	7	5,6
PRA 056 T	125	265,5	151	10	50	20	7	143	63	80	156	-	100	22	100	120	111	-	71	7	5,6
PRA 086 M	141	290,5	161,3	11	52,7	20	9	161	71	90	-	178	112	25	112	135	113	PG11	71,3	7	9,2
PRA 086 T	141	292	161,3	11	52,7	20	8	161	71	90	172	-	112	25	112	135	113	-	71,3	7	9,2
PRA 106 M	141	290,5	161,3	11	52,7	20	9	161	71	90	-	178	112	25	112	135	113	PG11	71,3	7	9,7
PRA 106 T	141	292	161,3	11	52,7	20	8	161	71	90	172	-	112	25	112	135	113	-	71,3	7	9,7
PRA 156 M	160	330,5	191	12	56	20	10	175	80	95	-	212	124	26	125	152	135	PG13,5	91	9	14,5
PRA 156 T	160	335	191	12	56	20	10	175	80	95	199	-	124	26	125	152	135	-	91	9	14,5
PRA 206 T	160	348	191	12	56	20	10	175	80	95	199	-	124	26	125	152	135	-	91	9	15,8

PERIPHERAL ELECTRIC PUMPS

in cast iron



Ref.			Ref.		
1	Pump body	Cast iron	20	Bearing (motor side)	-
3	Motor bracket	Cast iron	21	Adjusting ring	Steel C70
6	Shaft with rotor	[3]	22	Tie-rod	Galvanised Fe 42
7	Impeller	Brass	23	Capacitor [2]	-
11	Mechanical seal	Carbon/Ceramic/NBR	24	Priming plug	Brass
12	Motor frame with stator	-	26	O-Ring	NBR
13	Motor cover	Aluminium	30	Washer	AISI 304
14	Fan	PP	32	Key	AISI 316
15	Fan cover	Galvanised Fe P04	33	Seeger ring	AISI 304
16	Terminal box	-	52	Capacitor box [2]	ABS
17	Terminal box cover [1]	Aluminium	53	Capacitor box cover [2] [4]	ABS
18	Splash ring	NBR	75	Washer	Aluminium
19	Bearing (pump side)	-	200	Screw	Zn Steel Cl. 8.8 ISO 898-1

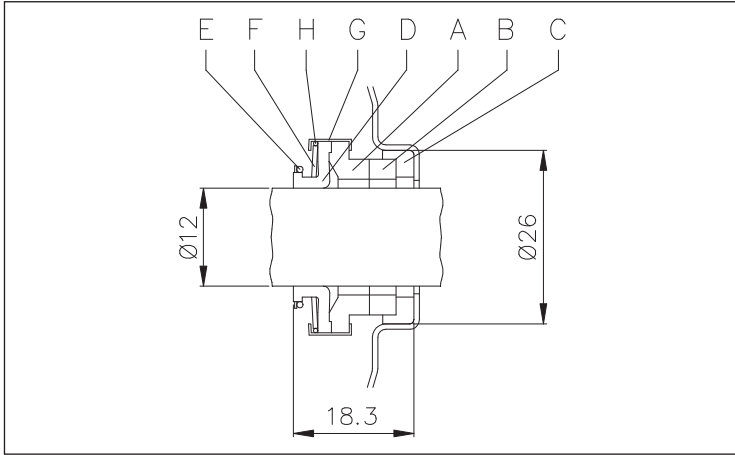
[1]= For three phase only [2]= For single phase only

[3]= Material: 1.0736 for PRA 056, AISI 303 (part in contact with the liquid) for the rest of the range [4]= With gasket in NBR for PRA 056-086-106 single phase versions

PERIPHERAL ELECTRIC PUMPS

in cast iron

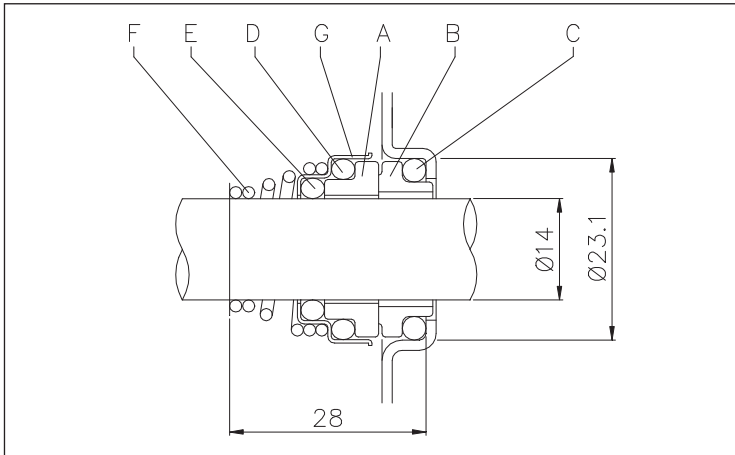
for PRA 056 - 086 - 106



for PRA 056 - 086 - 106

Ref.		
A	Rotating part	Carbon
B	Fixed part	Ceramic
C	Gasket	NBR
D	Bellows	NBR
E	Ring	AISI 304
F	Spring	AISI 304
G	Structure/frame	AISI 304
H	Retainer ring	AISI 304

for PRA 156 - 206



for PRA 156 - 206

Ref.		
A	Rotating part	Ceramic
B	Fixed part	Carbon
C	O-Ring	NBR
D	O-Ring	NBR
E	O-Ring	NBR
F	Spring	AISI 316
G	Structure/frame	AISI 304

110-115V/220-230V	220/380V	P ₂		Capacitor				P ₁		Absorbed Current [A]			
		[HP]	[kW]	110-115V μF	V _c 250	220-230V μF	V _c 450	[kW]	[kW]	110-115V	220-230V	220V	380V
PRA 056 M	PRA 056 T	0,5	0,37	31,5	250	8	450	0,58	0,56	5,5	2,8	1,9	1,1
PRA 086 M	PRA 086 T	0,8	0,6	60	250	14	450	1,37	1,33	12,5	6,3	4,0	2,3
PRA 106 M	PRA 106 T	1	0,75	60	250	20	450	1,54	1,0	15,3	7,1	2,9	1,7
PRA 156 M	PRA 156 T	1,5	1,1	-	-	35	450	2,2	2,0	-	10,4	5,7	3,3
-	PRA 206 T	2	1,5	-	-	-	-	-	2,9	-	-	8,1	4,7



EBARA

