



EBARA

MATRIX

HORIZONTAL MULTISTAGE CENTRIFUGAL PUMPS

60 Hz





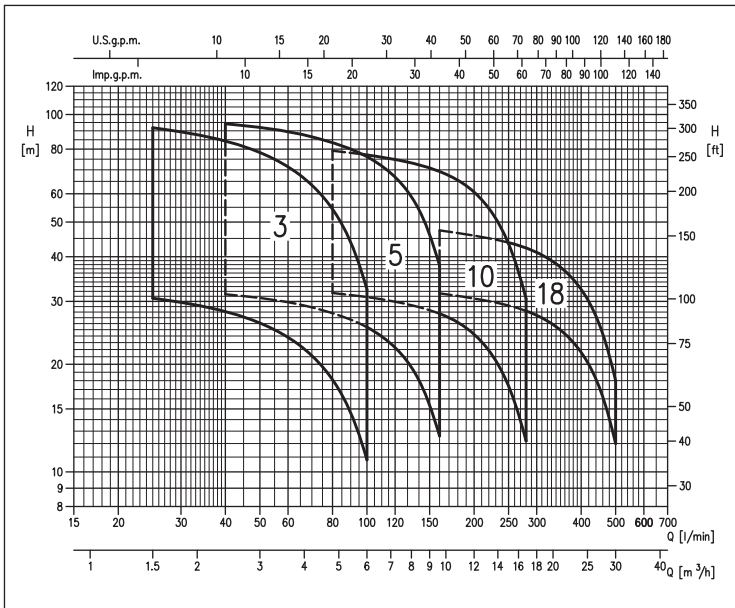
MATRIX

HORIZONTAL MULTISTAGE CENTRIFUGAL ELECTRIC PUMPS

in AISI 304



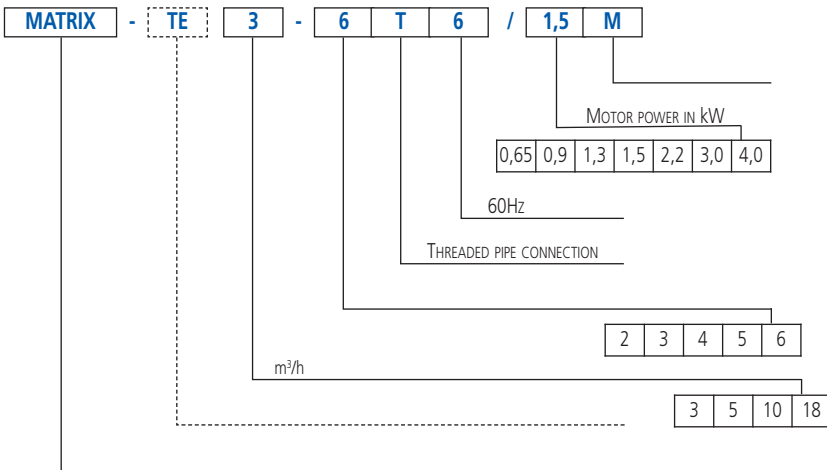
(according to ISO 9906 Attachment A)



Horizontal multistage centrifugal electric pumps in AISI 304 stainless steel.

- 가
-
-
-
-
-
-
- 가 (85°C)
- WRAS (85°C)
-
- : +85°C ()
- -15°C +110°C (TE)
- : 10bar
- : 500 ppm
- 2
- : F
- : IP55
- 220-230V ±6%, 60Hz ,
- 220/380-460V -6%+10%, 60Hz
- : MATRIX3 - G1, MATRIX5 - G1¼,
- MATRIX10 - G1½, MATRIX18 - G2
- : MATRIX3~5 - G1, MATRIX10 - G1¼,
- MATRIX18 - G1½

- Pump body, impeller, intermediate stages, casing cover and shaft (part in contact with the liquid) in AISI 304
- Mechanical seal in Carbon/Ceramic/EPDM
- Bracket in EN AB-AISI11Cu2(Fe) (Die cast Aluminium)





MATRIX

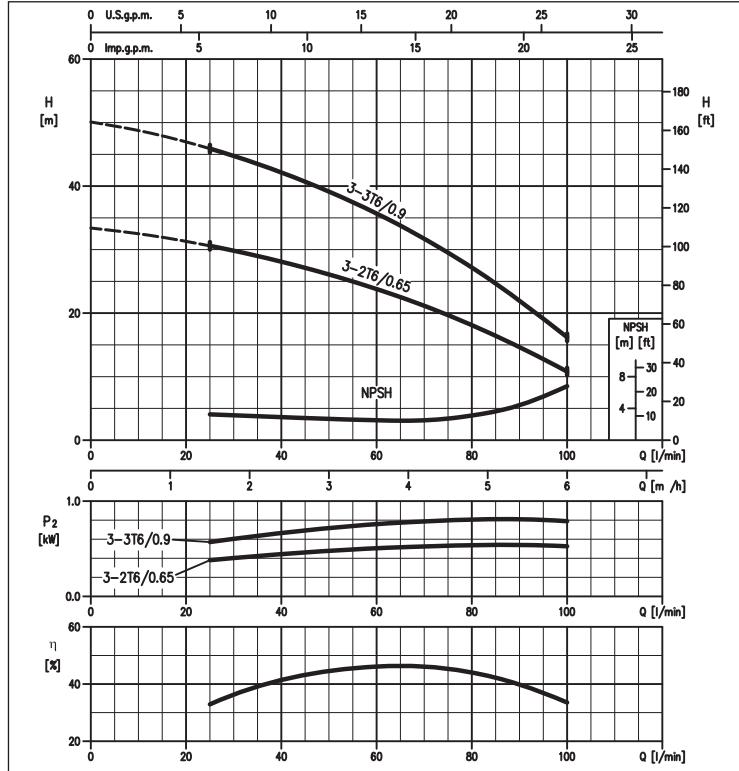
HORIZONTAL MULTISTAGE CENTRIFUGAL ELECTRIC PUMPS

in AISI 304

MATRIX 3 range

(from 2 to 3 impellers)

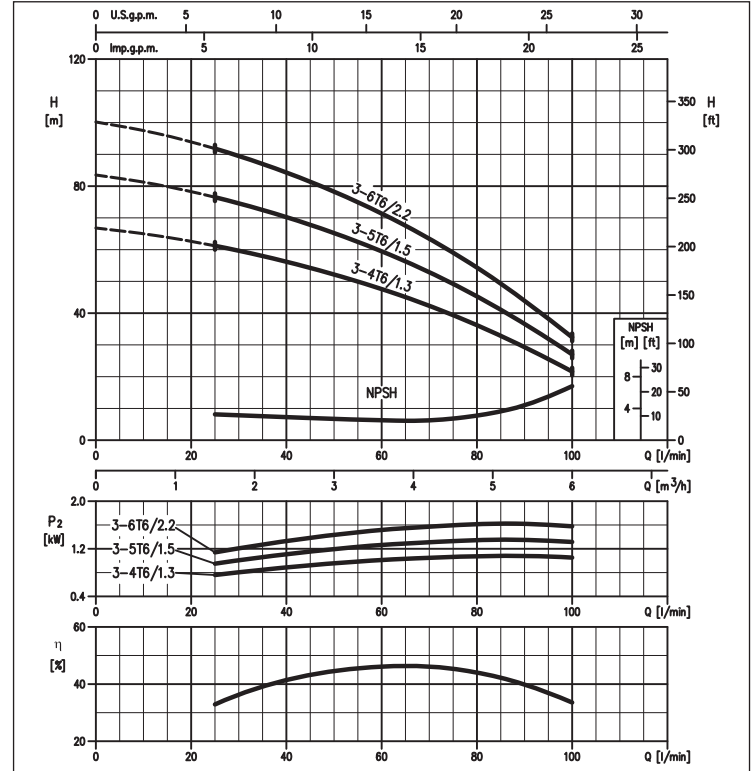
(according to ISO 9906 Attachment A)



MATRIX 3 range

(from 4 to 6 impellers)

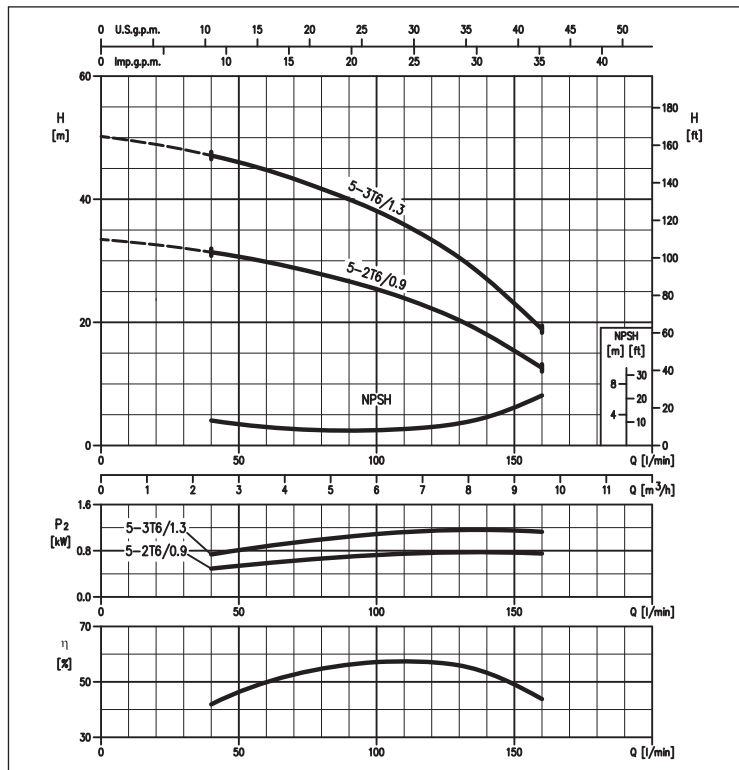
(according to ISO 9906 Attachment A)



MATRIX 5 range

(from 2 to 3 impellers)

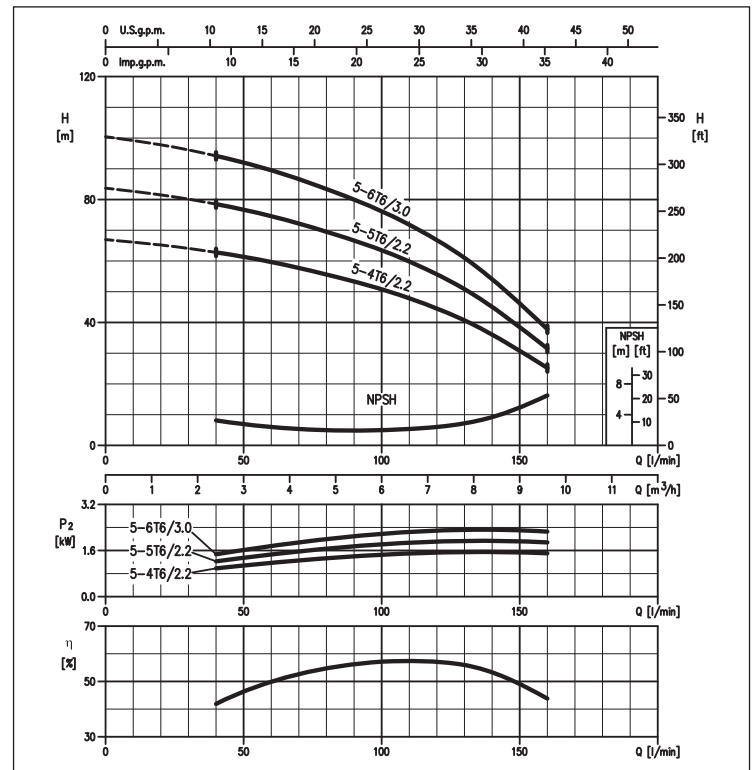
(according to ISO 9906 Attachment A)



MATRIX 5 range

(from 4 to 6 impellers)

(according to ISO 9906 Attachment A)



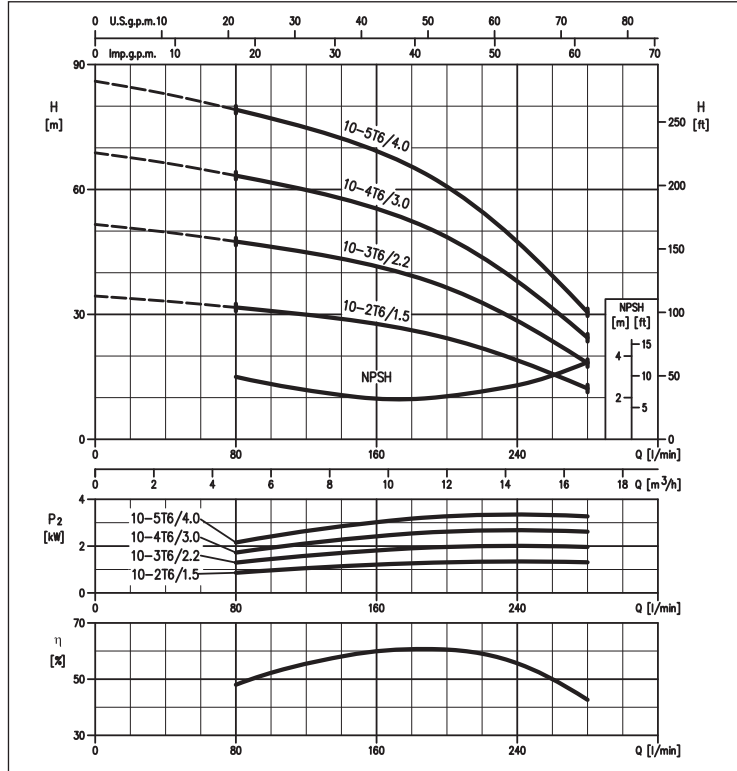
HORIZONTAL MULTISTAGE CENTRIFUGAL ELECTRIC PUMPS

in AISI 304

MATRIX 10 range

(according to ISO 9906 Attachment A)

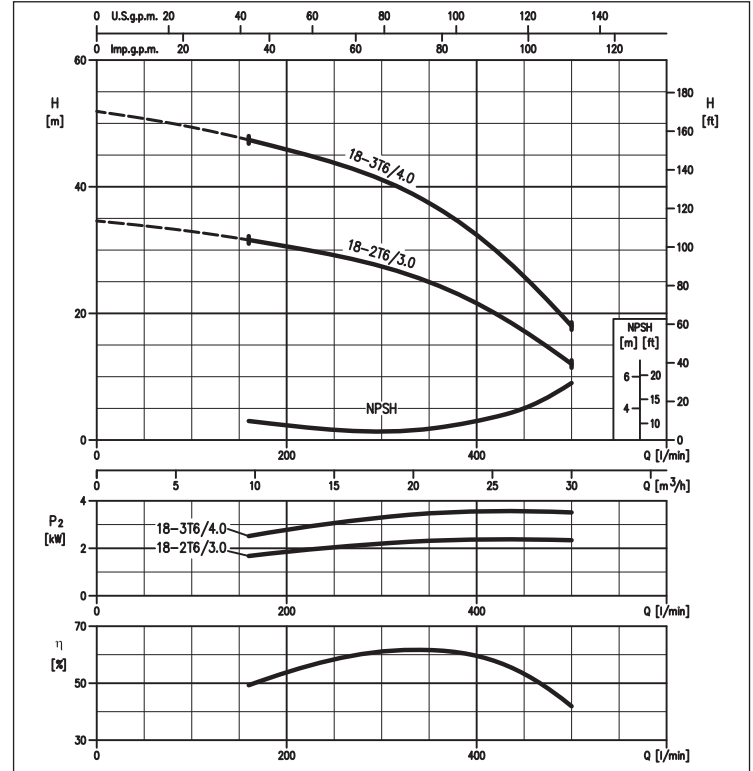
(from 2 to 5 impellers)



MATRIX 18 range

(according to ISO 9906 Attachment A)

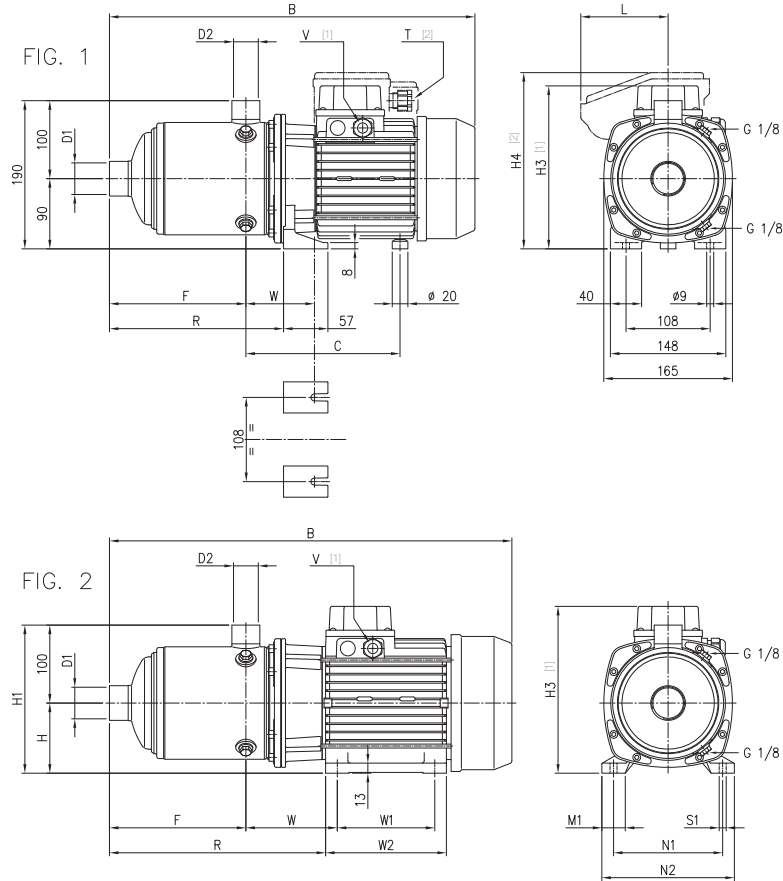
(from 2 to 3 impellers)



220-230V	220/380-460V	P ₂		Q=														
		[HP]	[kW]	l/min 25	40	60	80	100	130	160	220	280	340	400	460	500		
				m³/h 1,5	2,4	3,6	4,8	6	7,8	9,6	13,2	16,8	20,4	24	27,6	30		
MATRIX 3-2T6/0.65M	MATRIX 3-2T6/0.65	0,9	0,65	30,6	28,1	23,8	18,1	10,8	-	-	-	-	-	-	-	-	-	
MATRIX 3-3T6/0.9M	MATRIX 3-3T6/0.9	1,2	0,9	46,0	42,0	35,7	27,2	16,2	-	-	-	-	-	-	-	-	-	
MATRIX 3-4T6/1.3M	MATRIX 3-4T6/1.3	1,8	1,3	61,0	56,0	47,5	36,2	21,6	-	-	-	-	-	-	-	-	-	
MATRIX 3-5T6/1.5M	MATRIX 3-5T6/1.5	2	1,5	76,5	70,5	59,5	45,5	27,0	-	-	-	-	-	-	-	-	-	
-	MATRIX 3-6T6/2.2	3	2,2	92,0	84,5	71,5	54,5	32,4	-	-	-	-	-	-	-	-	-	
MATRIX 5-2T6/0.9M	MATRIX 5-2T6/0.9	1,2	0,9	-	31,4	29,8	27,8	25,4	20,3	12,6	-	-	-	-	-	-	-	
MATRIX 5-3T6/1.3M	MATRIX 5-3T6/1.3	1,8	1,3	-	47,0	45,0	41,5	38,1	30,5	18,9	-	-	-	-	-	-	-	
-	MATRIX 5-4T6/2.2	3	2,2	-	63,0	59,5	55,5	51,0	40,5	25,2	-	-	-	-	-	-	-	
-	MATRIX 5-5T6/2.2	3	2,2	-	78,5	74,5	69,5	63,5	51,0	31,5	-	-	-	-	-	-	-	
-	MATRIX 5-6T6/3	4	3	-	94,0	89,5	83,5	76,0	61,0	37,8	-	-	-	-	-	-	-	
MATRIX 10-2T6/1.5M	MATRIX 10-2T6/1.5	2	1,5	-	-	-	31,7	30,8	29,4	27,7	21,9	12,2	-	-	-	-	-	
-	MATRIX 10-3T6/2.2	3	2,2	-	-	-	47,5	46,5	44,0	41,5	32,8	18,3	-	-	-	-	-	
-	MATRIX 10-4T6/3	4	3	-	-	-	63,5	61,5	59,0	55,5	43,5	24,4	-	-	-	-	-	
-	MATRIX 10-5T6/4	5,5	4	-	-	-	79,0	77,0	73,5	69,5	54,5	30,5	-	-	-	-	-	
-	MATRIX 18-2T6/3	4	3	-	-	-	-	-	-	31,6	30,0	28,2	25,5	21,6	16,2	12,0	-	
-	MATRIX 18-3T6/4	5,5	4	-	-	-	-	-	-	47,5	45,0	42,5	38,3	32,4	24,3	18,0	-	

HORIZONTAL MULTISTAGE CENTRIFUGAL ELECTRIC PUMPS

in AISI 304



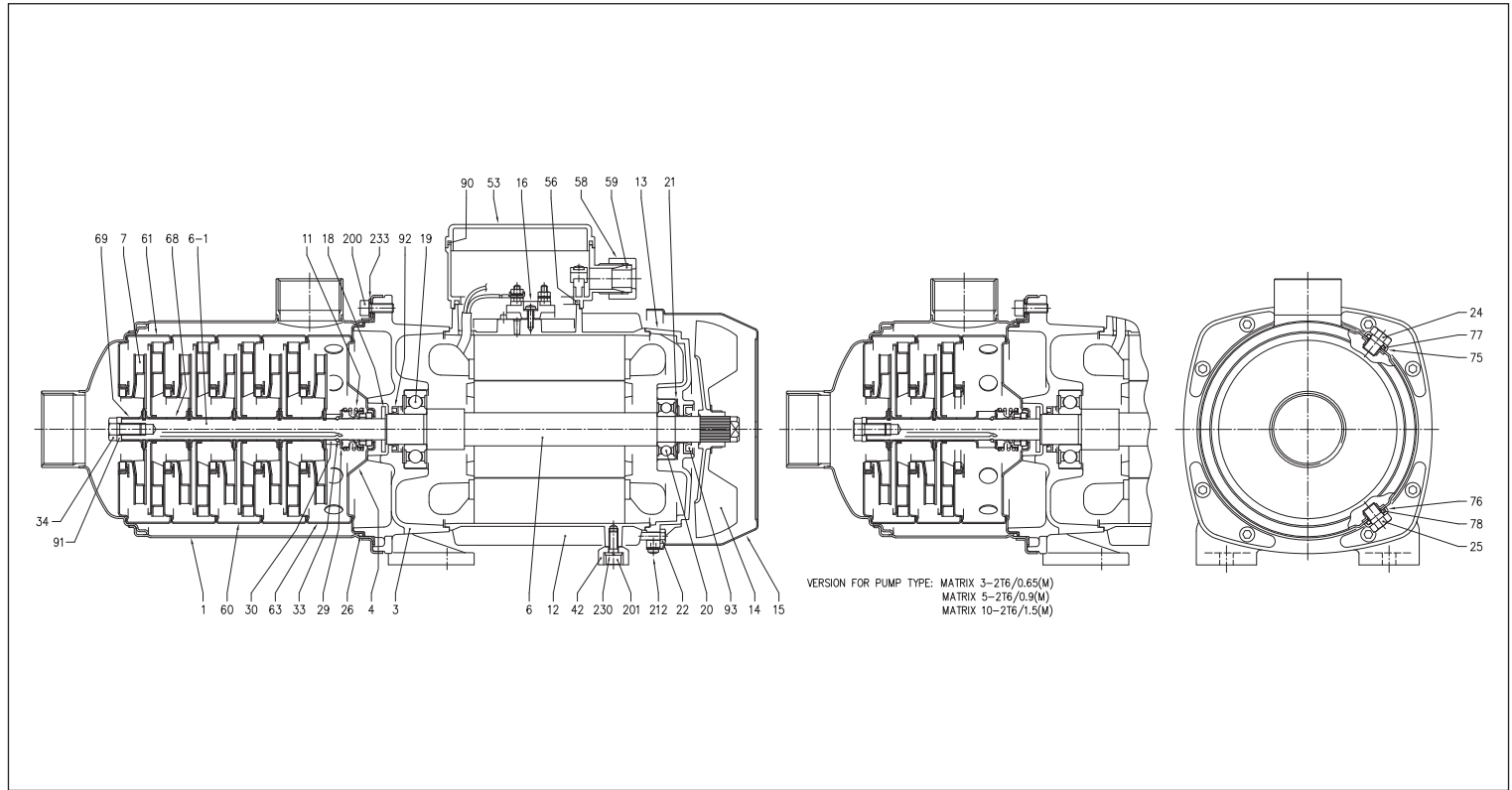
[1]= Three phase only
[2]= Single phase only

	Fig.	B	C	F	H	H1	H3 [1]	H4 [2]	L	R	T [2]	[mm] V [1]	W	W1	W2	M1	N1	N2	S1	D1	D2	[kg]
MATRIX 3-2T6/0.65M	1	360	171	103	-	-	-	200	86,5	151,5	PG11	-	88±97	-	-	-	-	-	-	1"	1"	9,8
MATRIX 3-2T6/0.65	1	360	171	103	-	-	192	-	-	151,5	-	PG11	88±97	-	-	-	-	-	-	1"	1"	9,7
MATRIX 3-3T6/0.9M	1	360	171	103	-	-	-	219	106	151,5	M20x1,5	-	88±97	-	-	-	-	-	-	1"	1"	11,7
MATRIX 3-3T6/0.9	1	372	171	103	-	-	192	-	-	151,5	-	PG11	88±97	-	-	-	-	-	-	1"	1"	12,4
MATRIX 3-4T6/1.3M	1	421	198	127	-	-	-	226	112	175,5	M20x1,5	-	88±97	-	-	-	-	-	-	1"	1"	14,7
MATRIX 3-4T6/1.3	1	421	198	127	-	-	209	-	-	175,5	-	PG11	88±97	-	-	-	-	-	-	1"	1"	14,4
MATRIX 3-5T6/1.5M	1	458	198	151	-	-	-	226	112	199,5	M20x1,5	-	88±97	-	-	-	-	-	-	1"	1"	16,0
MATRIX 3-5T6/1.5	1	458	198	151	-	-	209	-	-	199,5	-	PG11	88±97	-	-	-	-	-	-	1"	1"	17,8
MATRIX 3-6T6/2.2	1	482	198	175	-	-	209	-	-	223,5	-	PG11	88±97	-	-	-	-	-	-	1"	1"	18,3
MATRIX 5-2T6/0.9M	1	360	171	103	-	-	-	219	106	151,5	M20x1,5	-	88±97	-	-	-	-	-	-	1 1/4"	1"	11,6
MATRIX 5-2T6/0.9	1	372	171	103	-	-	192	-	-	151,5	-	PG11	88±97	-	-	-	-	-	-	1 1/4"	1"	12,3
MATRIX 5-3T6/1.3M	1	397	198	103	-	-	-	226	112	151,5	M20x1,5	-	88±97	-	-	-	-	-	-	1 1/4"	1"	14,0
MATRIX 5-3T6/1.3	1	397	198	103	-	-	209	-	-	151,5	-	PG11	88±97	-	-	-	-	-	-	1 1/4"	1"	13,8
MATRIX 5-4T6/2.2	1	434	198	127	-	-	209	-	-	175,5	-	PG11	88±97	-	-	-	-	-	-	1 1/4"	1"	16,7
MATRIX 5-5T6/2.2	1	458	198	151	-	-	209	-	-	199,5	-	PG11	88±97	-	-	-	-	-	-	1 1/4"	1"	16,9
MATRIX 5-6T6/3	2	554	-	175	90	90	214	-	-	277,5	-	PG13,5	117,5	125	155	30	140	170	9	1 1/4"	1"	22,4
MATRIX 10-2T6/1.5M	1	429	202	118	-	-	-	226	112	170,5	M20x1,5	-	92±101	-	-	-	-	-	-	1 1/2"	1 1/4"	14,8
MATRIX 10-2T6/1.5	1	429	202	118	-	-	209	-	-	170,5	-	PG11	92±101	-	-	-	-	-	-	1 1/2"	1 1/4"	16,5
MATRIX 10-3T6/2.2	1	429	202	118	-	-	209	-	-	170,5	-	PG11	92±101	-	-	-	-	-	-	1 1/2"	1 1/4"	16,3
MATRIX 10-4T6/3	2	531	-	148	90	190	214	-	-	254,5	-	PG13,5	121,5	125	155	30	140	170	9	1 1/2"	1 1/4"	22,7
MATRIX 10-5T6/4	2	574	-	178	100	200	241	-	-	274	-	PG16	111	140	170	35	160	192	11	1 1/2"	1 1/4"	26,2
MATRIX 18-2T6/3	2	527	-	141	90	190	214	-	-	250,5	-	PG13,5	124,5	125	155	30	140	170	9	2"	1 1/2"	21,6
MATRIX 18-3T6/4	2	540	-	141	100	200	241	-	-	240	-	PG16	114	140	170	35	160	192	11	2"	1 1/2"	25,4

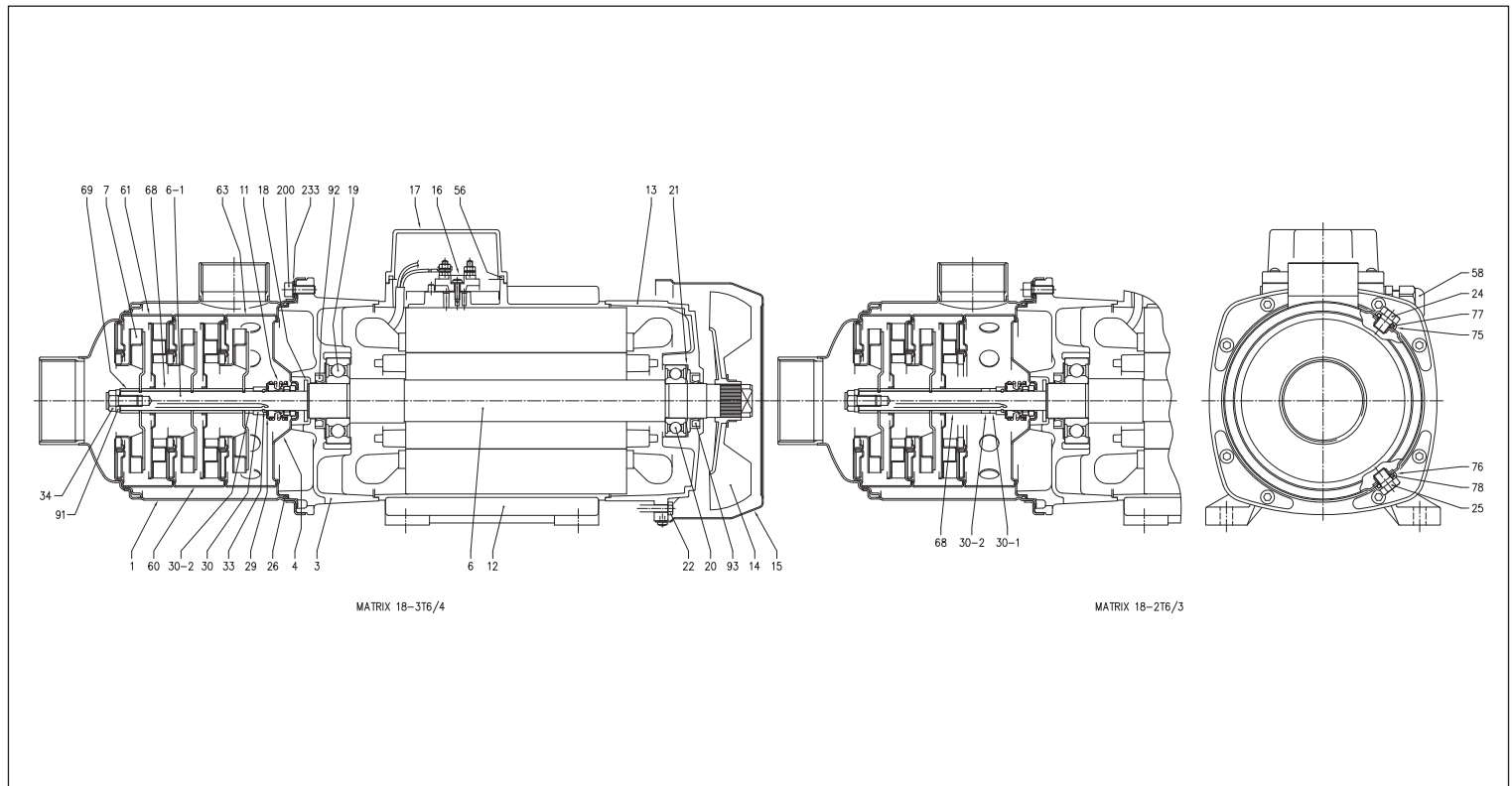
[1]= Three phase only
[2]= Single phase only

HORIZONTAL MULTISTAGE CENTRIFUGAL ELECTRIC PUMPS in AISI 304

MATRIX 3-5-10



MATRIX 18 S



HORIZONTAL MULTISTAGE CENTRIFUGAL ELECTRIC PUMPS

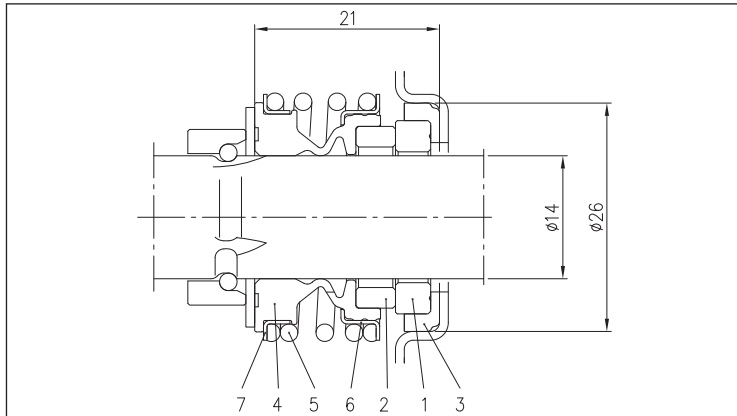
in AISI 304

Ref.			Ref.		
1	Pump body	EN 1.4301 (AISI 304)	34	Screw	EN 1.4301 (AISI 304)
3	Bracket	EN AB-AISI11Cu2(Fe)	42	Foot	Aluminium
4	Casing cover	EN 1.4301 (AISI 304)	50	Motor spacer [3]	Aluminium
6	Shaft with rotor	-	52	Capacitor box [2]	ABS
6-1	Pump shaft	EN 1.4301 (AISI 304)	53	Capacitor box cover [2] [4]	ABS
7	Impeller	EN 1.4301 (AISI 304)	56	Box gasket	NBR
11	Mechanical seal	Ceramic/Carbon/EPDM	58	Ring nut	-
	High temperature mechanical seal	Ceramic/Carbon/EPDM	59	Conic gasket [2]	NBR
12	Motor frame with stator	-	60	Intermediate casing	EN 1.4301 (AISI 304)+PTFE
13	Motor cover	Aluminium	61	Intermediate casing (suction)	EN 1.4301 (AISI 304)+PTFE
14	Fan	PA6	63	Intermediate casing (discharge)	EN 1.4301 (AISI 304)+PTFE
15	Fan cover	Galvanised Fe P04	68	Shaft sleeve (intermediate)	EN 1.4301 (AISI 304)
16	Terminal board	-	69	Impeller spacer	EN 1.4301 (AISI 304)
17	Terminal box cover [1]	Aluminium	75	Washer	EN 1.4301 (AISI 304)
18	Splash ring	NBR	76	Washer	EN 1.4301 (AISI 304)
19	Bearing (pump side)	-	77	O-Ring	EPDM
20	Bearing (motor side)	-	78	O-Ring	EPDM
21	Adjusting ring	Steel C70	90	Cover box gasket [2]	NBR
22	Tie rod	Galvanised Fe 42	91	Shaft washer	EN 1.4301 (AISI 304)
24	Filler cap	EN 1.4301 (AISI 304)	92	Lip seal	-
25	Drain plug	EN 1.4301 (AISI 304)	93	Lip seal	-
26	O-Ring	EPDM	200	Screw (pump body)	EN 1.4301 (AISI 304)
29	Washer	EN 1.4301 (AISI 304)	201	Screw	Steel 8.8 strenght class ISO 898/1
30	Ring holder	EN 1.4301 (AISI 304)	230	Washer	Steel C70
30-1/2	Shaft sleeve	EN 1.4301 (AISI 304)	233	Plate	EN 1.4301 (AISI 304)
33	Ring	EN 1.4301 (AISI 304)			

[1]= Three phase only
[3]= Only for 10-5T6/4 and 18-3T6/4

[2]= Single phase only
[4]= With gasket in NBR only for 3-2T6/0.65M, 3-3T6/0.9M, 5-2T6/0.9M single phase version

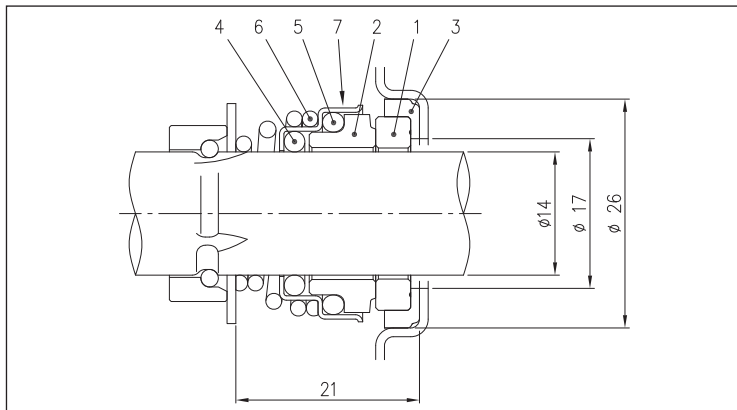
standard



standard

Ref.		
1	Fixed part	Ceramic
2	Rotating part	Carbon
3	Gasket	EPDM
4	Bellows	EPDM
5	Spring	EN 1.4402 (AISI 316)
6	Structure/frame	EN 1.4402 (AISI 316)
7	Retainer ring	EN 1.4402 (AISI 316)

TE version (high temperature)



TE version (high temperature)

Ref.		
1	Fixed part	Ceramic
2	Rotating part	Carbon
3	Gasket	EPDM
4	O-Ring	EPDM
5	O-Ring	EPDM
6	Spring	EN 1.4402 (AISI 316)
7	Retainer ring	EN 1.4301 (AISI 304)



MATRIX

HORIZONTAL MULTISTAGE CENTRIFUGAL ELECTRIC PUMPS

in AISI 304

220-230V	220/380-460V	P ₂		Capacitor		P ₁		Absorbed Current [A]			
		[HP]	[kW]	μF	V _c	[kW]	[kW]	220-230V	220V	380V	460V
MATRIX 3-2T6/0.65M	MATRIX 3-2T6/0.65	0,9	0,65	14	450	0,97	0,90	4,7	2,8	1,6	1,5
MATRIX 3-3T6/0.9M	MATRIX 3-3T6/0.9	1,2	0,9	25	450	1,34	1,50	6,3	3,8	2,2	2,2
MATRIX 3-4T6/1.3M	MATRIX 3-4T6/1.3	1,8	1,3	35	450	1,70	2,00	7,7	5,7	3,3	2,9
MATRIX 3-5T6/1.5M	MATRIX 3-5T6/1.5	2	1,5	35	450	1,88	2,90	8,7	8,1	4,7	4,3
-	MATRIX 3-6T6/2.2	3	2,2	-	-	-	2,90	-	8,1	4,7	4,3
MATRIX 5-2T6/0.9M	MATRIX 5-2T6/0.9	1,2	0,9	25	450	1,34	1,50	6,3	3,8	2,2	2,2
MATRIX 5-3T6/1.3M	MATRIX 5-3T6/1.3	1,8	1,3	35	450	1,70	2,00	7,7	5,7	3,3	2,9
-	MATRIX 5-4T6/2.2	3	2,2	-	-	-	2,90	-	8,1	4,7	4,3
-	MATRIX 5-5T6/2.2	3	2,2	-	-	-	2,90	-	8,1	4,7	4,3
-	MATRIX 5-6T6/3	4	3	-	-	-	3,90	-	10,5	6,1	5,6
MATRIX 10-2T6/1.5M	MATRIX 10-2T6/1.5	2	1,5	35	450	1,88	2,90	8,7	8,1	4,7	4,3
-	MATRIX 10-3T6/2.2	3	2,2	-	-	-	2,90	-	8,1	4,7	4,3
-	MATRIX 10-4T6/3	4	3	-	-	-	3,90	-	10,5	6,1	5,6
-	MATRIX 10-5T6/4	5,5	4	-	-	-	5,10	-	14,7	8,5	8,0
-	MATRIX 18-2T6/3	4	3	-	-	-	3,90	-	10,5	6,1	5,6
-	MATRIX 18-3T6/4	5,5	4	-	-	-	5,10	-	14,7	8,5	8,0



EBARA

