



EBARA

DWC

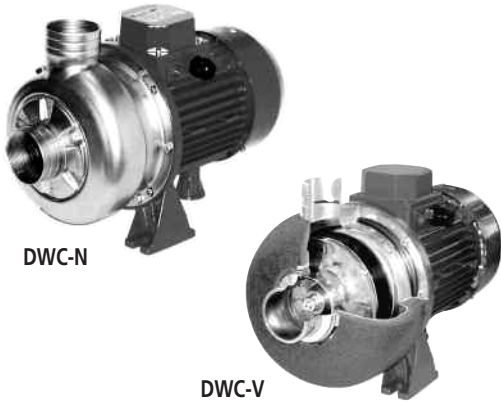
CLOSED IMPELLER CENTRIFUGAL ELECTRIC PUMPS

60 Hz



CLOSED IMPELLER CENTRIFUGAL ELECTRIC PUMPS

in AISI 304



Closed impeller centrifugal electric pumps in AISI 304 stainless steel.

-
-
-
-
- Threaded (DWC - N) and Victaulic connections (DWC - V) 74
- Insulation as per standard for the Victaulic version (DWC-V)

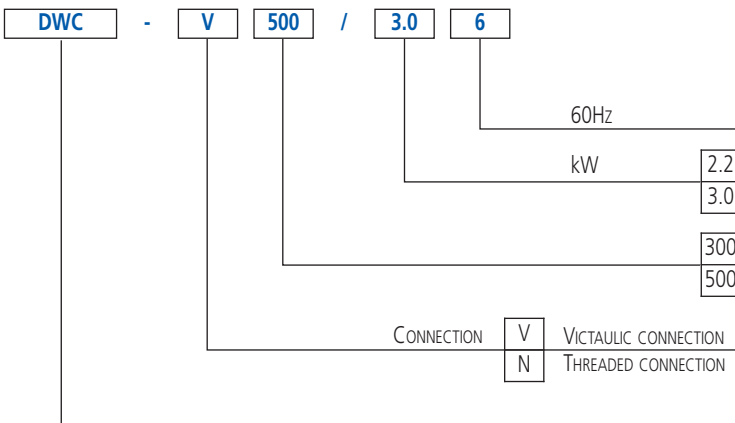
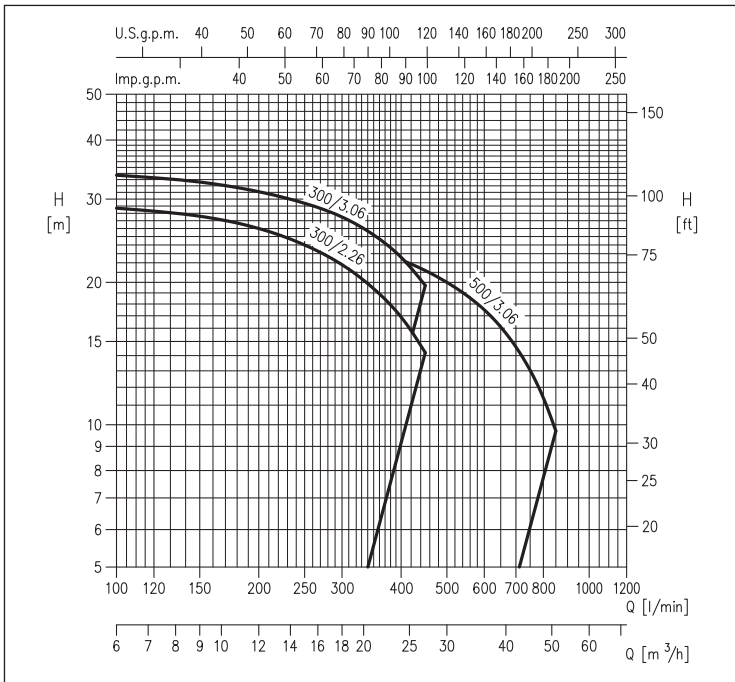
- : 8bar
- : -15°C +90°C
- 2
- : F
- : IP55
- 220/380-460V -6%+10%, 60Hz
- DWC - N : G2
- DWC - V : Ø2" (60.3 mm)

- Pump body, casing cover, impeller and shaft in AISI304
- Bracket and motor casing in aluminium
- Mechanical seal in:
 - Ceramic/Carbon/EPDM (standard)
 - Ceramic/Carbon/FPM (H version)
 - SiC/SiC/FPM (HS version)
 - Tungsten carbide/Tungsten carbide/FPM (HW version)

- (on request) DWC body insulation casing



(according to ISO 9906 Attachment A)



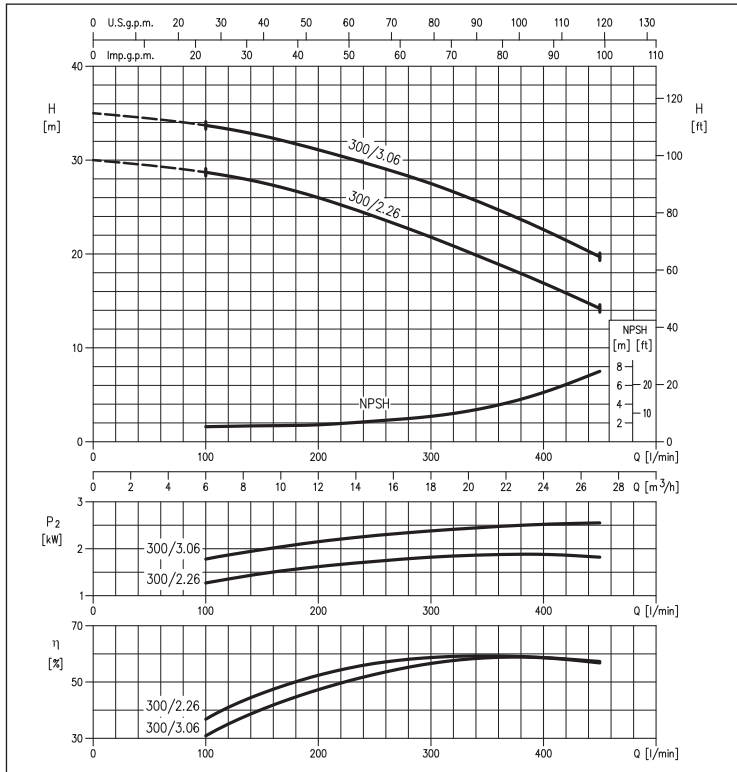
CLOSED IMPELLER CENTRIFUGAL ELECTRIC PUMPS

in AISI 304

220/380-460V	P ₂		Q=													
	[HP]	[kW]	l/min m ³ /h	100 6	150 9	200 12	250 15	300 18	350 21	400 24	450 27	500 30	600 36	700 42	800 48	850 51
DWC 300/2.26	3	2,2		28,7	27,6	26,0	24,0	21,8	19,4	16,9	14,2	-	-	-	-	-
DWC 300/3.06	4	3		33,7	32,6	31,1	29,4	27,5	25,2	22,6	19,7	-	-	-	-	-
DWC 500/3.06	4	3		-	-	25,8	25,1	24,3	23,3	22,3	21,2	20,0	17,5	14,6	11,4	9,7

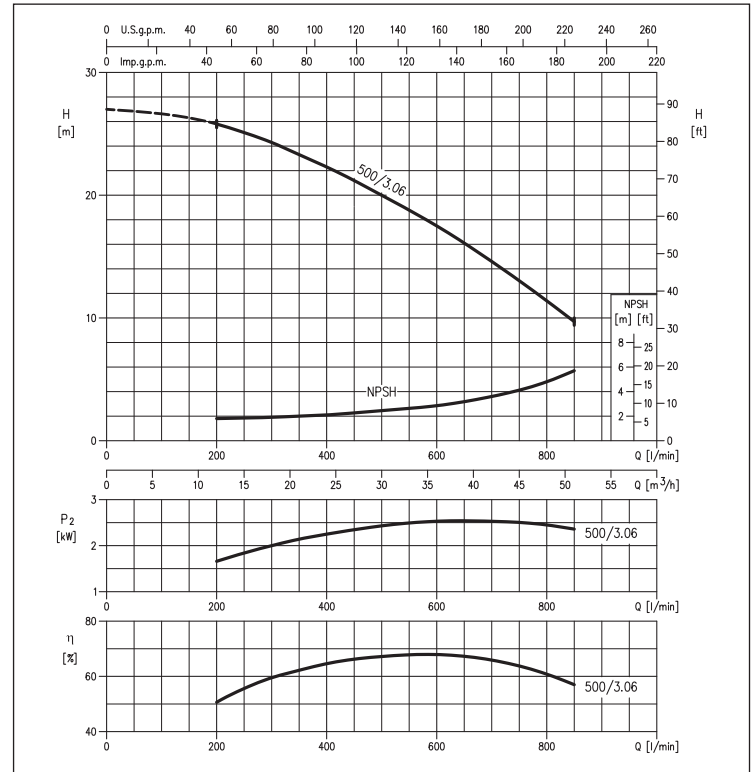
DWC 300 range

(according to ISO 9906 Attachment A)



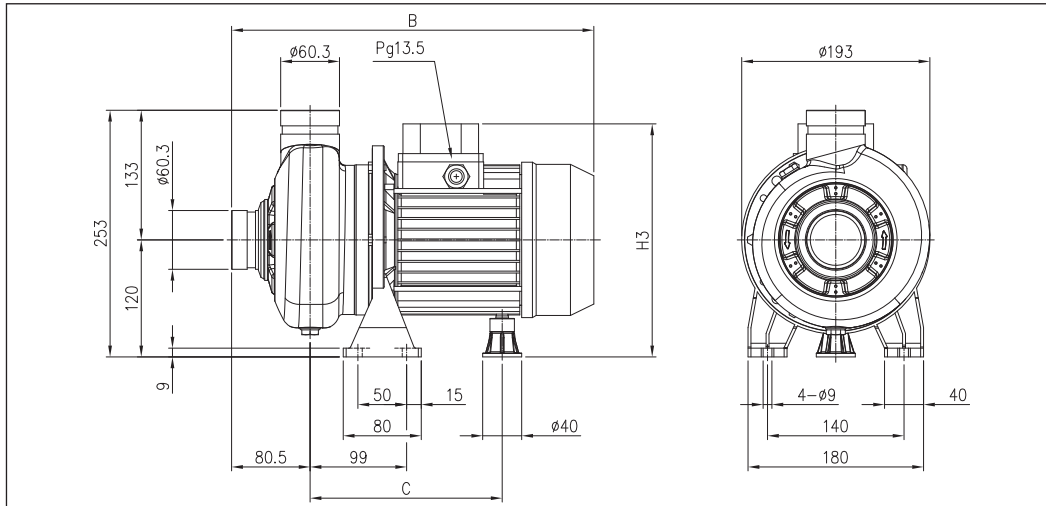
DWC 500

(according to ISO 9906 Attachment A)



DWC-V

(VICTAULIC CONNECTION)



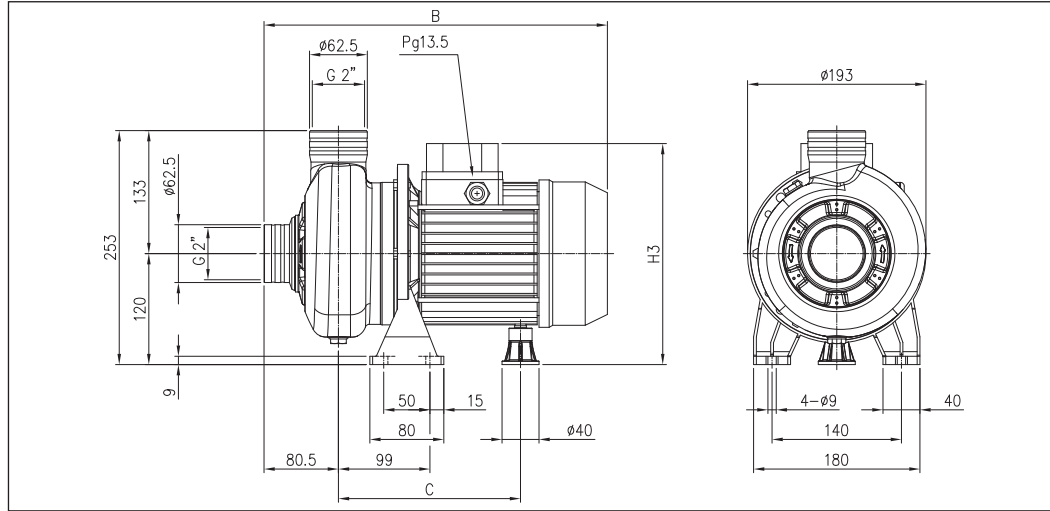
	B	C [mm]	H3	[kg]
DWC-V 300/2.26	418	230÷241	244	19,7
DWC-V 300/3.06	457	230÷241	244	21,5
DWC-V 500/3.06	457	230÷241	244	22,3

CLOSED IMPELLER CENTRIFUGAL ELECTRIC PUMPS

in AISI 304

DWC-N

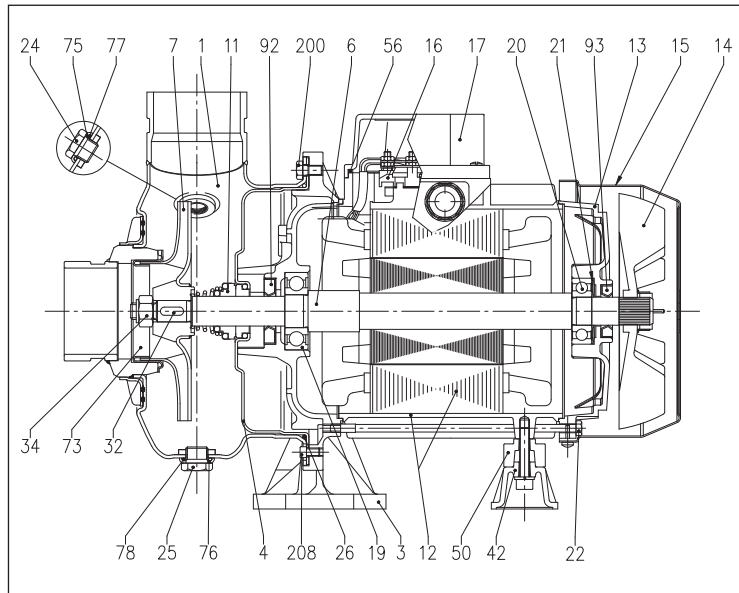
(THREADED CONNECTION)



	[mm]			
	B	C	H3	[kg]
DWC-N 300/2.26	418	230±241	244	19,7
DWC-N 300/3.06	457	230±241	244	21,5
DWC-N 500/3.06	457	230±241	244	22,3

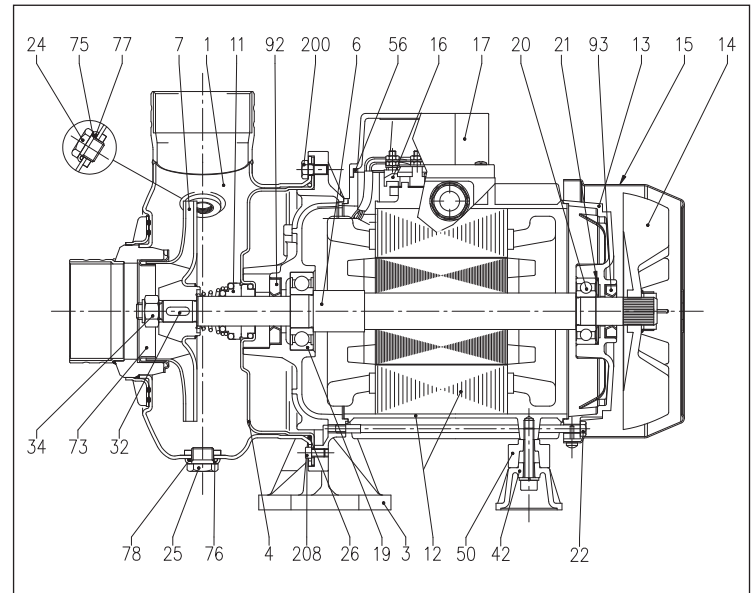
DWC-V

(VICTAULIC CONNECTION)



DWC-N

(THREADED CONNECTION)

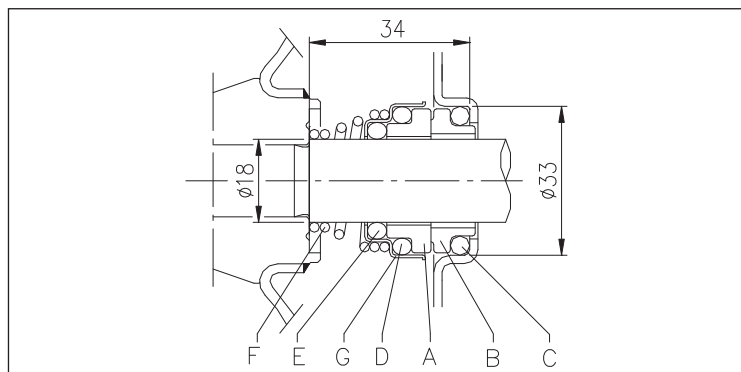


Ref.		Ref.	
001	Pump body	025	Drain plug
003	Motor bracket	026	O-Ring
004	Casing cover	032	Key
006	Shaft	034	Impeller nut
007	Impeller	042	Foot
011	Mechanical seal	050	Spacer
012	Motor frame with stator	056	Box gasket
013	Motor cover	073	Casing ring
014	Fan	075	Washer
015	Fan cover	076	Washer
016	Terminal board	077	O-Ring
017	Terminal board cover	078	O-Ring
019	Bearing (pump side)	092	Lip seal
020	Bearing (motor side)	093	Lip seal
021	Adjusting ring	200	Screw (pump body)
022	Tie-rod	208	Screw
024	Priming plug		

CLOSED IMPELLER CENTRIFUGAL ELECTRIC PUMPS

in AISI 304

DWC standard



Ref.		
A	Rotating part	Ceramic
B	Fixed part	Carbon
C	O-Ring	EPDM
D	O-Ring	EPDM
E	O-Ring	EPDM
F	Spring	AISI 316
G	Structure/frame	AISI 304

(on request)

Name	H version	HS version	HW version
Fixed Part	Carbon	SiC	Tungsten Carbide
Rotating Part	Ceramic	SiC	Tungsten Carbide
Elastomers	FPM	FPM	FPM
Spring	AISI 316	AISI 316	AISI 316
Structure/Frame	AISI 304	AISI 316	AISI 304

220/380-460V	P ₂		P ₁ [kW]	Absorbed Current [A]		
	[HP]	[kW]		220V	380V	460V
DWC 300/2.26	3	2,2	2,9	7,0	4,1	4,1
DWC 300/3.06	4	3	3,9	10,5	6,1	5,6
DWC 500/3.06	4	3	3,9	10,5	6,1	5,6



EBARA

